

A full range of straight grinders is provided.

## 50mm(2")



**NHG-65A**  
Non-Governor  
Without Stone Cover



**NHG-65LA**  
Non-Governor  
Without Stone Cover

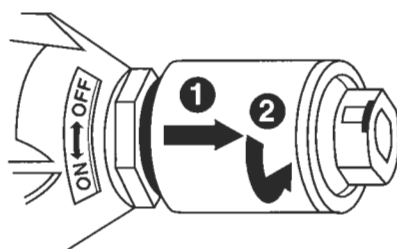


**NHG-65ALW**  
Non-Governor  
Safety Lever Type  
Without Stone Cover



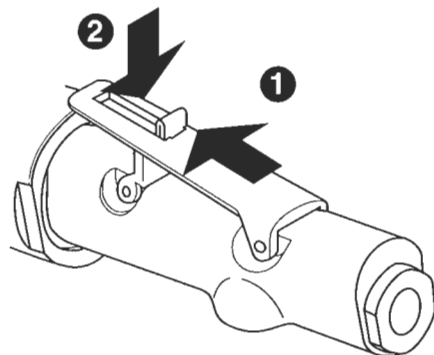
**NHG-65LALW**  
Non-Governor  
Safety Lever Type  
Without Stone Cover

## SAFETY GRIP TYPE



- ① Pull back the sleeve, and
- ② Turn it anticlockwise to start.

## SAFETY LEVER TYPE



- ① Push the lever down, and
- ② Grip it

## SPECIFICATIONS

Recommended Air Pressure 0.6MPa (6kgf/cm<sup>2</sup>,85psi)

| Type         | Model No.  | Capacity (Wheel size) |           | Max. Free Speed<br>rpm | Overall Length<br>Approx. |                      | Net Weight<br>Approx. |     | Max. Output<br>Approx. |     | Air Inlet Thread<br>Rc or NPT | Hose Size |     | Average Air Consumption |                      |
|--------------|------------|-----------------------|-----------|------------------------|---------------------------|----------------------|-----------------------|-----|------------------------|-----|-------------------------------|-----------|-----|-------------------------|----------------------|
|              |            | mm                    | in        |                        | mm                        | in                   | kg                    | lb  | kw                     | ps  |                               | mm        | in  | m <sup>3</sup> /min     | ft <sup>3</sup> /min |
| Grip         | NHG-65A    | 50×13×9.5             | 2×1/2×3/8 | 18,000                 | 226                       | 8 <sup>29</sup> /32  | 1.1                   | 2.4 | 0.44                   | 0.6 | 1/4                           | 9.5       | 3/8 | 0.55                    | 19.4                 |
|              | NHG-65LA   | 50×13×9.5             | 2×1/2×3/8 | 18,000                 | 466                       | 18 <sup>11</sup> /32 | 1.4                   | 3.1 | 0.44                   | 0.6 | 1/4                           | 9.5       | 3/8 | 0.55                    | 19.4                 |
| Safety Lever | NHG-65ALW  | 50×13×9.5             | 2×1/2×3/8 | 18,000                 | 296                       | 11 <sup>21</sup> /32 | 1.1                   | 2.4 | 0.44                   | 0.6 | 1/4                           | 9.5       | 3/8 | 0.55                    | 19.4                 |
|              | NHG-65LALW | 50×13×9.5             | 2×1/2×3/8 | 18,000                 | 496                       | 19 <sup>17</sup> /32 | 1.4                   | 3.1 | 0.44                   | 0.6 | 1/4                           | 9.5       | 3/8 | 0.55                    | 19.4                 |

Specifications are subject to change without notice.

## 65mm(2 1/2")

Built-in Governor



**NHG-65D**  
Safety Grip Type



**NHG-65LD**  
Safety Grip Type



**NHG-65DLW**  
Safety Lever Type



**NHG-65LDLW**  
Safety Lever Type

## COLLET CHUCK TYPE

### 32mm(1 1/4")

Non Governor



**NHG-65K**  
Safety Grip Type



**NHG-65LK**  
Safety Grip Type



**NHG-65KLW**  
Safety Lever Type



**NHG-65LKLW**  
Safety Lever Type

## OPTIONAL COLLET CHUCK

| Model No.  | Collet Size 3mm | Collet Size 1/8" | Collet Size 1/4" |
|------------|-----------------|------------------|------------------|
| NHG-65K    | ○               | ○                | ○                |
| NHG-65KLW  | ○               | ○                | ○                |
| NHG-65LK   | ○               | ○                | ○                |
| NHG-65LKLW | ○               | ○                | ○                |

## SPECIFICATIONS

Recommended Air Pressure 0.6MPa (6kgf/cm<sup>2</sup>,85psi)

| Type         | Model No.  | Capacity (Wheel Size) |               | Collet Size | Max. Free Speed | Overall Length |                                 | Net Weight |     | Max. Output |     | Air Inlet Thread | Hose Size |     | Average Air Consumption |                     |
|--------------|------------|-----------------------|---------------|-------------|-----------------|----------------|---------------------------------|------------|-----|-------------|-----|------------------|-----------|-----|-------------------------|---------------------|
|              |            | mm                    | in            |             |                 | mm             | in                              | kg         | lb  | kw          | ps  |                  | Rc or NPT | mm  | in                      | m <sup>3</sup> /min |
| Safety Grip  | NHG-65D    | 65×13×9.5             | 2 1/2×1/2×3/8 | —           | 14,600          | 309            | 12 <sup>5</sup> / <sub>32</sub> | 1.3        | 2.9 | 0.44        | 0.6 | 1/4              | 9.5       | 3/8 | 0.55                    | 19.4                |
|              | NHG-65LD   | 65×13×9.5             | 2 1/2×1/2×3/8 | —           | 14,600          | 509            | 20 <sup>1</sup> / <sub>32</sub> | 1.6        | 3.5 | 0.44        | 0.6 | 1/4              | 9.5       | 3/8 | 0.55                    | 19.4                |
|              | NHG-65K    | 32                    | 1 1/4         | 6           | 18,000          | 309            | 12 <sup>5</sup> / <sub>32</sub> | 1.3        | 2.9 | 0.44        | 0.6 | 1/4              | 9.5       | 3/8 | 0.55                    | 19.4                |
|              | NHG-65LK   | 32                    | 1 1/4         | 6           | 18,000          | 509            | 20 <sup>1</sup> / <sub>32</sub> | 1.6        | 3.5 | 0.44        | 0.6 | 1/4              | 9.5       | 3/8 | 0.55                    | 19.4                |
| Safety Lever | NHG-65DLW  | 65×13×9.5             | 2 1/2×1/2×3/8 | —           | 14,600          | 338            | 13 <sup>5</sup> / <sub>16</sub> | 1.3        | 2.9 | 0.44        | 0.6 | 1/4              | 9.5       | 3/8 | 0.55                    | 19.4                |
|              | NHG-65LDLW | 65×13×9.5             | 2 1/2×1/2×3/8 | —           | 14,600          | 538            | 21 <sup>3</sup> / <sub>16</sub> | 1.6        | 3.5 | 0.44        | 0.6 | 1/4              | 9.5       | 3/8 | 0.55                    | 19.4                |
|              | NHG-65KLW  | 32                    | 1 1/4         | 6           | 18,000          | 338            | 13 <sup>5</sup> / <sub>16</sub> | 1.3        | 2.9 | 0.44        | 0.6 | 1/4              | 9.5       | 3/8 | 0.55                    | 19.4                |
|              | NHG-65LKLW | 32                    | 1 1/4         | 6           | 18,000          | 538            | 21 <sup>3</sup> / <sub>16</sub> | 1.6        | 3.5 | 0.44        | 0.6 | 1/4              | 9.5       | 3/8 | 0.55                    | 19.4                |

Specifications are subject to change without notice.

## 100mm(4")

Built-in Governor



**NHG-100A**  
Safety Grip Type



**NHG-100ALW**  
Safety Lever Type

## 125mm(5")

Built-in Governor



**NHG-125**  
Safety Grip Type



**NHG-125LW**  
Safety Lever Type

## 150mm(6")

Built-in Governor



**NHG-150**  
Safety Grip Type



**NHG-150LW**  
Safety Lever Type

## SPECIFICATIONS

Recommended Air Pressure 0.6MPa (6kgf/cm<sup>2</sup>,85psi)

| Type         | Model No.  | Capacity (Wheel Size) |  | Max. Free Speed<br>rpm | Overall Length Approx. |                                  | Net Weight Approx. |      | Max. Output Approx. |      | Air Inlet Thread<br>Rc or NPT | Hose Size |                             | Average Air Consumption |                      |
|--------------|------------|-----------------------|--|------------------------|------------------------|----------------------------------|--------------------|------|---------------------|------|-------------------------------|-----------|-----------------------------|-------------------------|----------------------|
|              |            | mm                    | in   |                        | mm                     | in                               | kg                 | lb   | kw                  | ps   |                               | mm        | in                          | m <sup>3</sup> /min     | ft <sup>3</sup> /min |
| Safety Grip  | NHG-100A   | 100×19×12.7           | 4× <sup>3</sup> / <sub>4</sub> × <sup>1</sup> / <sub>2</sub> | 9,500                  | 364                    | 14 <sup>1</sup> / <sub>32</sub>  | 2.3                | 5.1  | 0.65                | 0.88 | <sup>3</sup> / <sub>8</sub>   | 12.7      | <sup>1</sup> / <sub>2</sub> | 0.65                    | 23                   |
|              | NHG-125    | 125×19×12.7           | 5× <sup>3</sup> / <sub>4</sub> × <sup>1</sup> / <sub>2</sub> | 7,500                  | 405                    | 15 <sup>15</sup> / <sub>16</sub> | 3.2                | 7.0  | 0.81                | 1.1  | <sup>3</sup> / <sub>8</sub>   | 12.7      | <sup>1</sup> / <sub>2</sub> | 0.9                     | 31.8                 |
|              | NHG-150    | 150×25×15.9           | 6×1× <sup>5</sup> / <sub>8</sub>                             | 6,200                  | 437                    | 17 <sup>7</sup> / <sub>32</sub>  | 4.6                | 10.1 | 0.96                | 1.3  | <sup>3</sup> / <sub>8</sub>   | 12.7      | <sup>1</sup> / <sub>2</sub> | 1.1                     | 38.8                 |
| Safety Lever | NHG-100ALW | 100×19×12.7           | 4× <sup>3</sup> / <sub>4</sub> × <sup>1</sup> / <sub>2</sub> | 9,500                  | 409                    | 16 <sup>3</sup> / <sub>32</sub>  | 2.3                | 5.1  | 0.65                | 0.88 | <sup>3</sup> / <sub>8</sub>   | 12.7      | <sup>1</sup> / <sub>2</sub> | 0.65                    | 23                   |
|              | NHG-125LW  | 125×19×12.7           | 5× <sup>3</sup> / <sub>4</sub> × <sup>1</sup> / <sub>2</sub> | 7,500                  | 453                    | 17 <sup>27</sup> / <sub>32</sub> | 3.2                | 7.0  | 0.81                | 1.1  | <sup>3</sup> / <sub>8</sub>   | 12.7      | <sup>1</sup> / <sub>2</sub> | 0.9                     | 31.8                 |
|              | NHG-150LW  | 150×25×15.9           | 6×1× <sup>5</sup> / <sub>8</sub>                             | 6,200                  | 488                    | 19 <sup>7</sup> / <sub>32</sub>  | 4.6                | 10.1 | 0.96                | 1.3  | <sup>3</sup> / <sub>8</sub>   | 12.7      | <sup>1</sup> / <sub>2</sub> | 1.1                     | 38.8                 |

Specifications are subject to change without notice.